



NNI Glycerine Filled Stainless Steel Pressure Gauge Dual Read GPM/Psi Gauge

FEATURES

- 63mm (2½") and 100mm (4" case sizes
- Corrosion-resistant stainless steel case/ring
- Dry, field-fillable or liquid-filled versions
- Two-year warranty on liquid-filled gauges

NNI Liquid Filled Pressure gauges are synonymous with durability, flexibility and exceptional quality.

The case and ring assembly of Gauge is constructed of durable, corrosion-resistant stainless steel. The gauge enclosure is sealed to provide maximum protection in adverse environmental conditions. The core of these Gauges is the Flex Brass movement. This precision movement provides a higher level of resistance to shock, vibration and pulsation than conventional gauge movements.

Both 63mm and 100mm Type NNI gauges are available dry, field fillable, glycerin filled or silicone filled. Weld nuts are standard on all back connection gauges, therefore, any back-connection gauge with the addition of a U-clamp accessory kit, can be panel mounted. For limited space constraints, the front-flange mounting kit is offered. Where it is necessary to convert a larger panel opening to a smaller size, the retrofit flange kit is available. Custom dials and metric sockets are also available.

True Zero™ indication, a unique safety feature standard on these gauges, is the accurate indication of zero pressure being applied to the gauge. In addition to the increased safety benefits, this means reduced inspection and manufacturing costs for you and your customer.

Dual read GPM/ Psi Gauges are designed to read flow on a 2-1/2" Pipe.

HOW TO ORDER (Typical example)

Dial Size: 63mm _____ 63 SG L 025 1000#
 Case Type Number: 1008A _____
 (SS case / bronze tube / brass socket / PowerFlex movement)
 Liquid Filled Case _____
 Connection Size/Location: ¼ NPT Lower _____
 Range: 1000 psi _____

PRODUCT SPECIFICATIONS:

Ashcroft® Model No.: 1008A/AL

Size: 63mm (2½"), 100mm (4")

Case: 304 stainless steel,

Fill Fluid: Glycerin (20° to 150°F ambient; -7°C to 65°C)

Ring: 304 stainless steel, crimped

Window: Polycarbonate

Dial: Black & Blue figures on white background,

Pointer: Black, aluminum

Bourdon Tube: - C-shaped Bronze (vac.-600 psi and compound)

- Helical Bronze (1000 psi-6000 psi)

- Helical stainless steel (10,000 psi-15,000 psi)

Movement: Patented PowerFlex™ movement

Socket: Brass, with O-ring case seal

Restrictor: Brass throttle plug, 0.013" orifice (except for vacuum 15 psi ranges)

Connection: ¼ NPT lower and back

Ranges: Vac. thru 15,000 psi and compound. Equivalent metric ranges available

Accuracy: ASME B40.100, Grade B, ±3-2-3%

Operating Temp.: -40°F to 150°F; -40°C to 65°C (dry gauge)

OPTIONAL FEATURES:

Case: Sealed case, field fillable (LJ)
 Silicone filled (GV)
 (-40°F to 150°F; -40°C to 65°C)

Mounting Hardware: U-clamp (UC), Front flange (FF), Retrofit flange (RF)

Socket: Throttle Plugs, 0.007," 0.020," 0.063" JIS, DIN and other connections on application

Others: Customized dials, Nonstandard ranges, Special calibration on application
 FlutterGuard™ (eliminates rapid pointer flutter on most vibration/ pulsation applications - dry gauges only)

COMMONLY USED ON

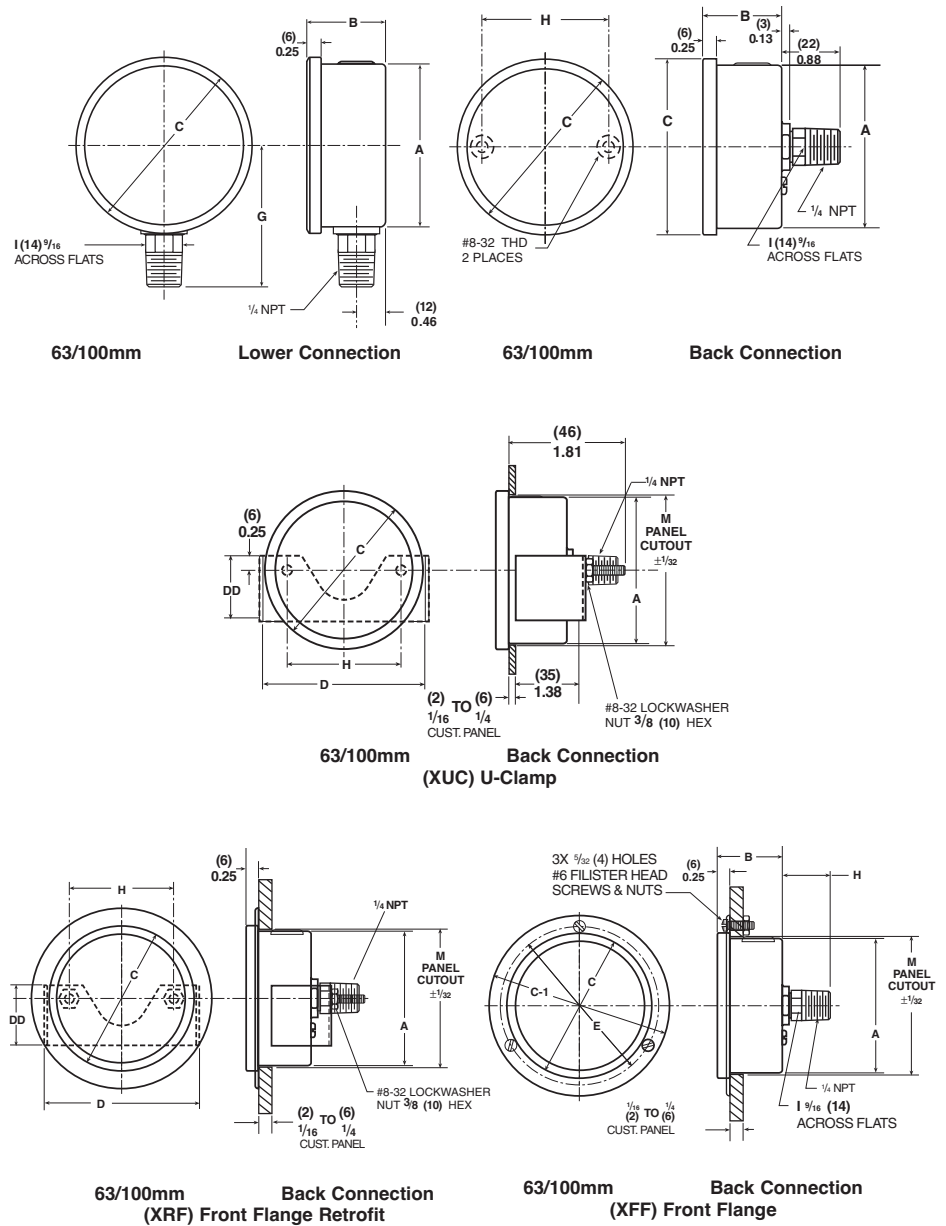
Hydraulic systems, hydrants, pressure washers/sprayers, compressors, irrigation equipment, a variety of other applications





NNI Stainless Steel Pressure Gauge

DIMENSIONS



SIZE/TYPE											LOWER		BACK	
	A	B	C	CC	D	DD	E	G	H	M	Weight oz / kg Dry	Weight oz / kg Wet	Weight oz / kg Dry	Weight oz / kg Wet
63mm.	(63) 2.48	(31) 1.21	(69) 2.71	(86) 3.36	(75) 2.95	(28) 1.12	(75) 2.95	(56) 2.20	(49) 1.94	(65) 2.54	3.88 oz 0.110 kg	7.48 oz 0.212 kg	4.09 oz 0.116 kg	7.69 oz 0.218 kg
100mm.	(100) 3.94	(31) 1.24	(106) 4.16	(133) 5.22	(107) 4.20	(28) 1.12	(116) 4.57	(74) 2.92	(76) 3.00	(101) 3.97	8.11 oz 0.230 kg	15.80 oz 0.448 kg	7.13 oz 0.202 kg	14.82 oz 0.420 kg

Dimensions in (mm) inches.

All specifications are subject to change without notice.
All sales subject to standard terms and conditions.